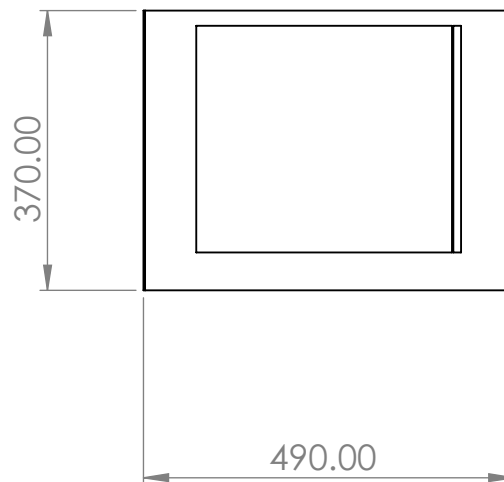
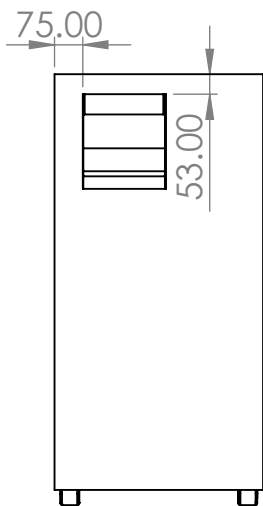
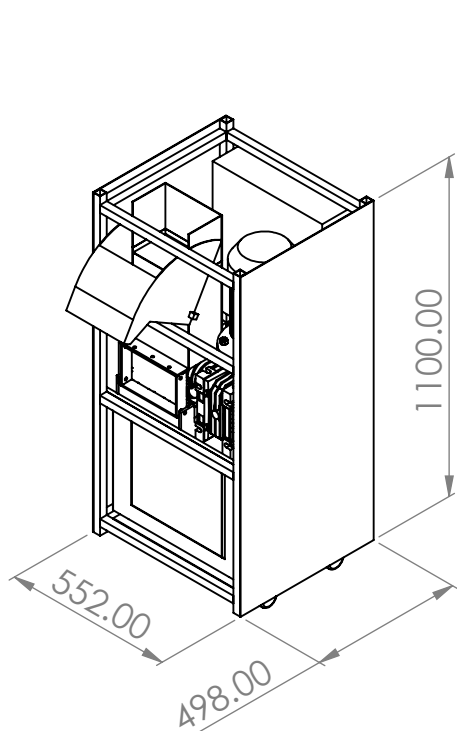


B

A



B

A

		UNLESS OTHERWISE SPECIFIED:		NAME	DATE	<COMPANY NAME>	
		DIMENSIONS ARE IN INCHES	DRAWN				TITLE:
		TOLERANCES:	CHECKED				
		FRACTIONAL ±	ENG APPR.				
		ANGULAR: MACH ± BEND ±	MFG APPR.				
		TWO PLACE DECIMAL ±	Q.A.			SIZE   DWG. NO.   REV	
		THREE PLACE DECIMAL ±	COMMENTS:				
		INTERPRET GEOMETRIC TOLERANCING PER:					
		MATERIAL				ADIMENSIONS	
		FINISH				SCALE: 1:20	
	NEXT ASSY	USED ON				SHEET 1 OF 1	
	APPLICATION		DO NOT SCALE DRAWING				

**PROPRIETARY AND CONFIDENTIAL**  
 THE INFORMATION CONTAINED IN THIS DRAWING IS THE SOLE PROPERTY OF <INSERT COMPANY NAME HERE>. ANY REPRODUCTION IN PART OR AS A WHOLE WITHOUT THE WRITTEN PERMISSION OF <INSERT COMPANY NAME HERE> IS PROHIBITED.

2

1